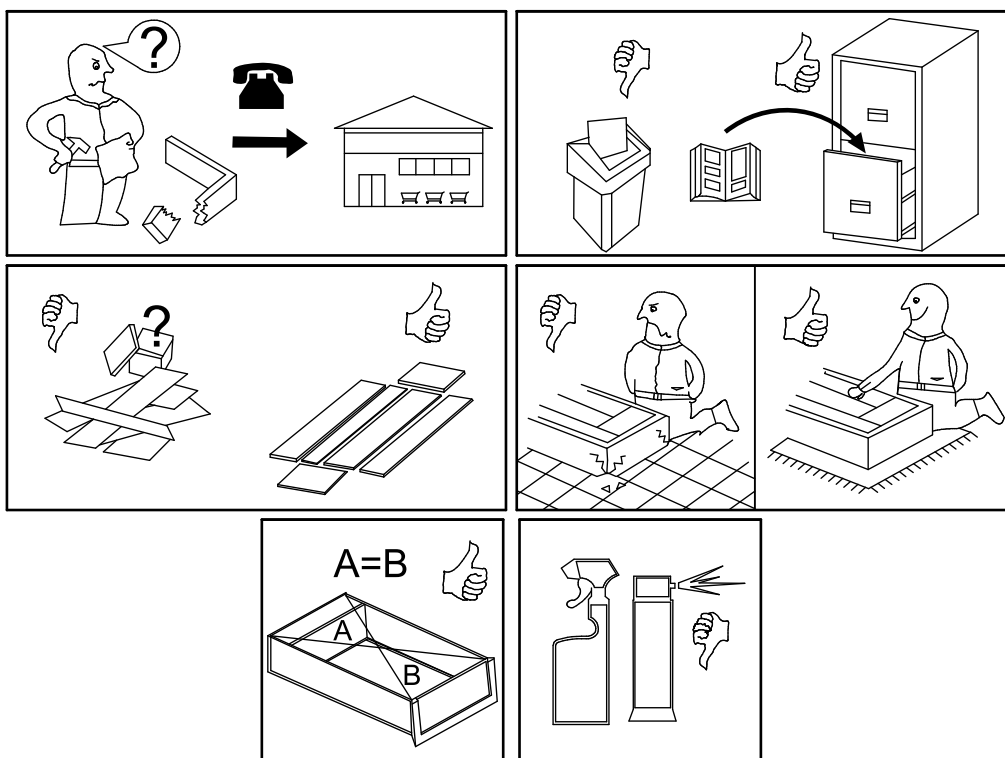
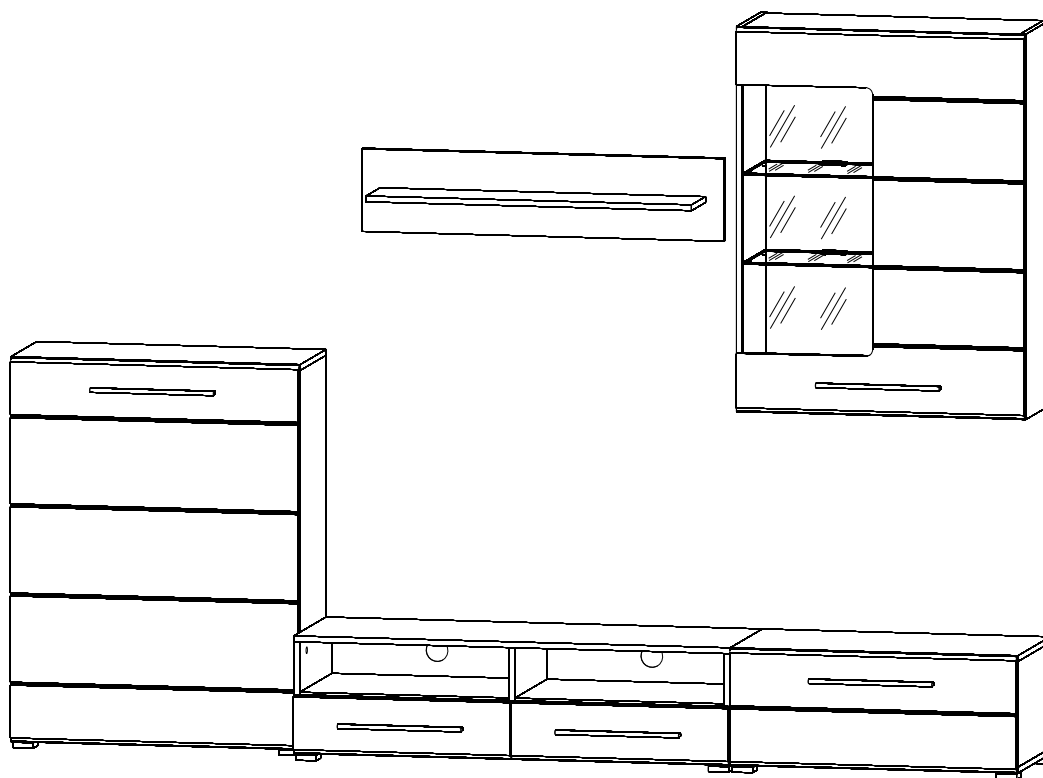
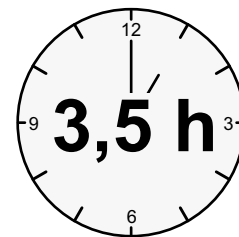
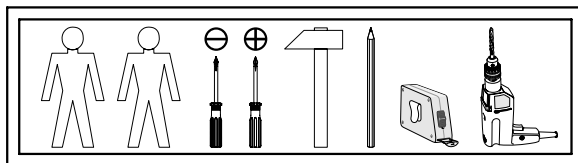
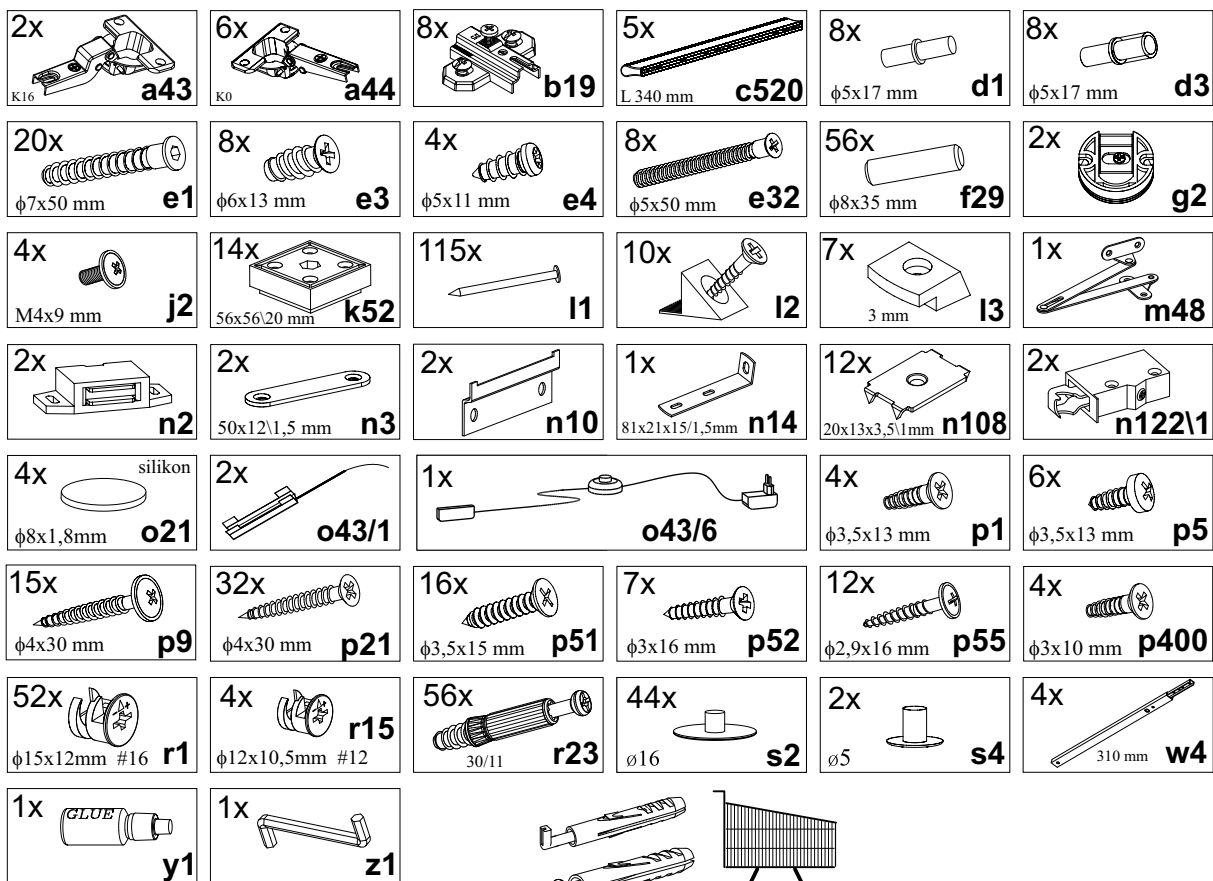
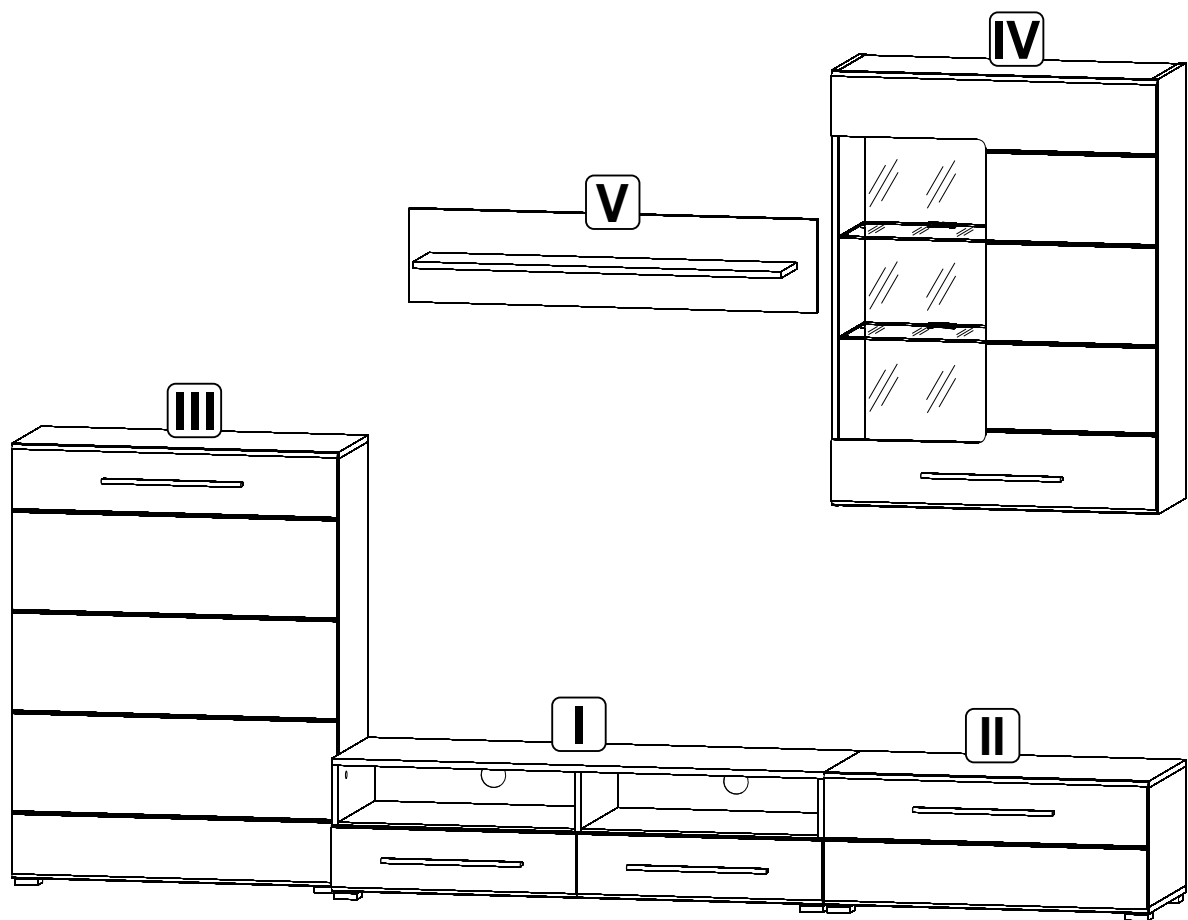
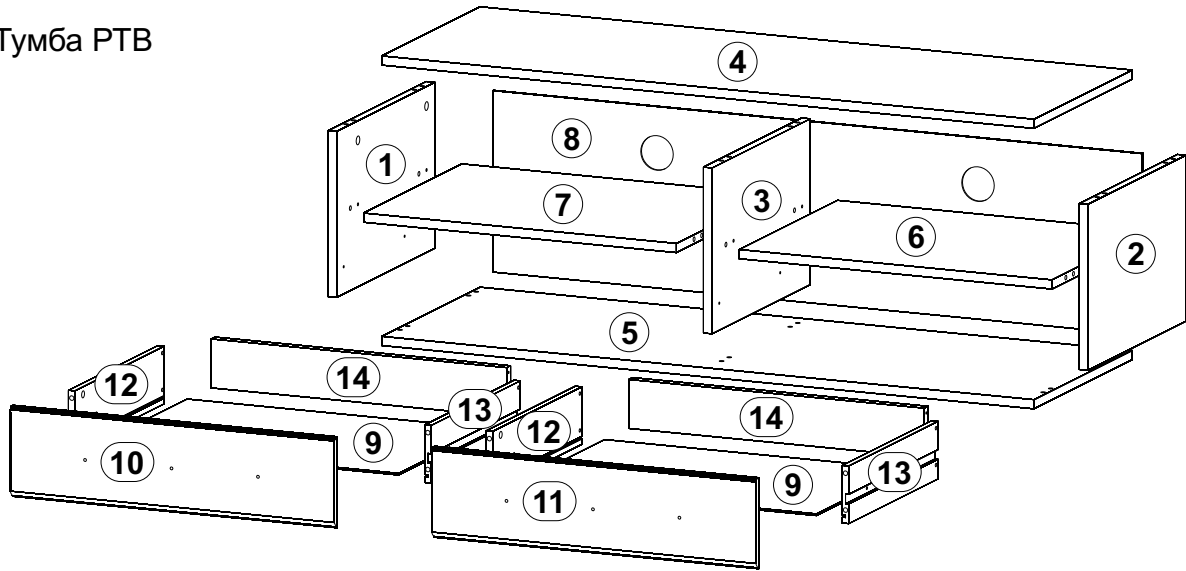


АДА





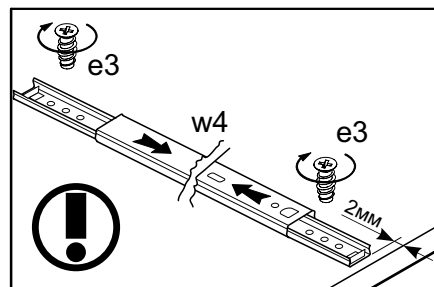
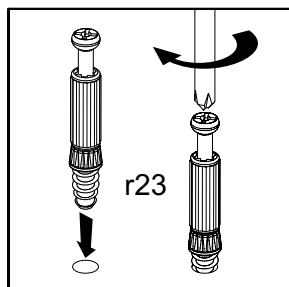
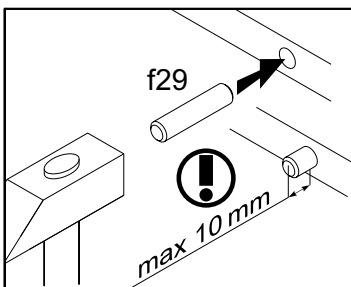
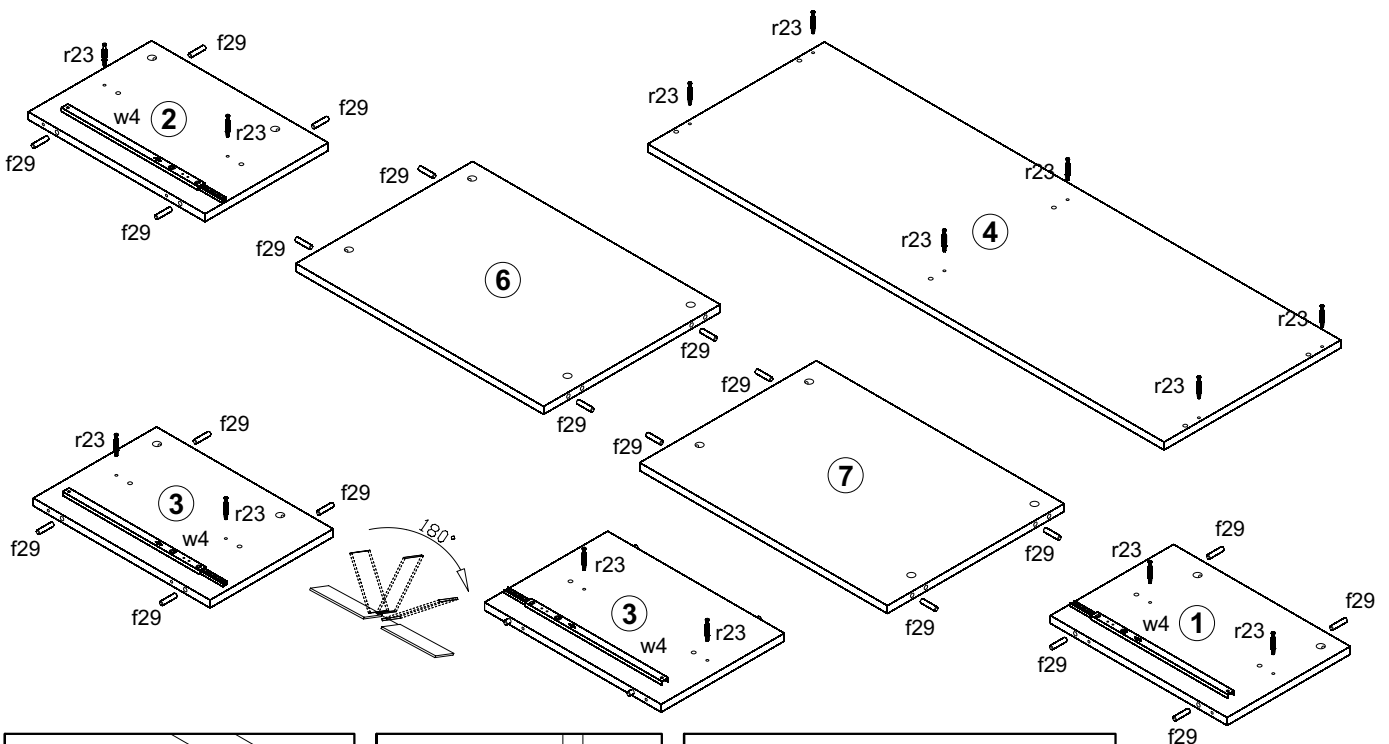
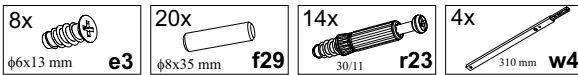
I Тумба РТВ



A	B	C	D	A	B	C	D		
1	PU1-104	288	413	1/4	8	PU1-911	1202	315	1/4
2	PU1-103	288	413	1/4	9	PU1-919	558	378	1/4
3	PU1-122	288	413	1/4	10	PU1-029	600	158	4/4
4	PU1-207	1207	413	1/4	11	PU1-030	600	158	4/4
5	PU1-208	1207	413	1/4	12	PU1-551	375	100	4/4
6	PU1-307	579	413	1/4	13	PU1-552	375	100	4/4
7	PU1-308	579	413	1/4	14	PU1-558	547	85	2/4



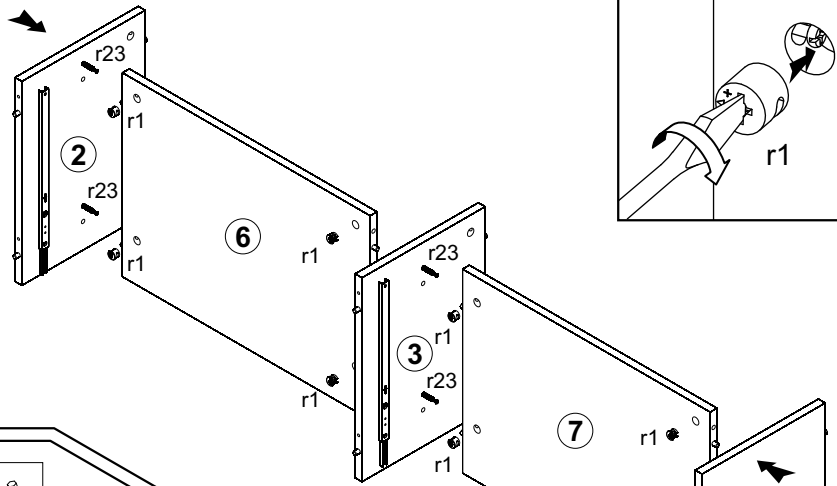
1



2



8x $\phi 15 \times 12 \text{mm}$ #16 r1

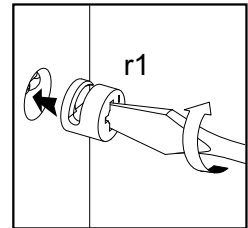
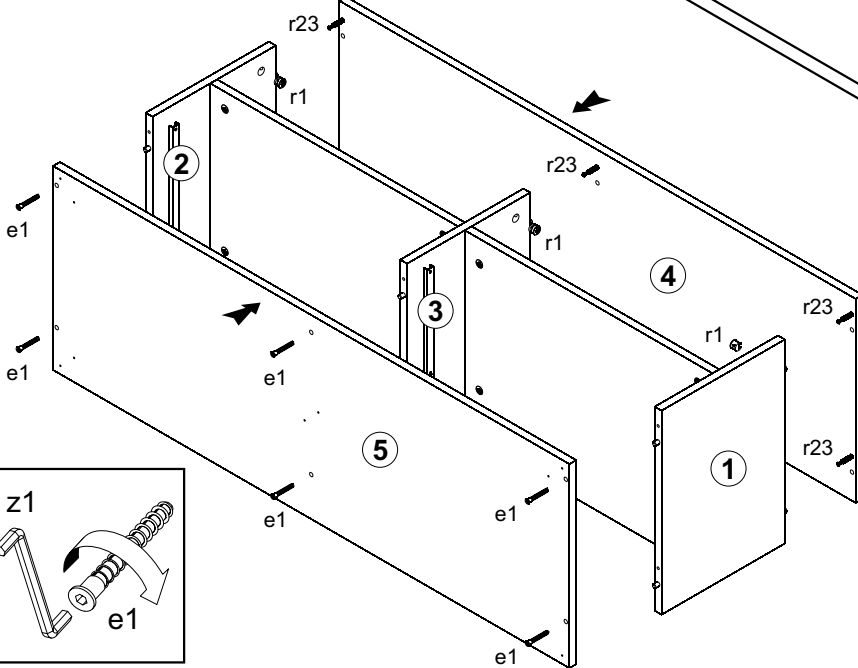


3

6x $\phi 7 \times 50 \text{mm}$ e1

6x $\phi 15 \times 12 \text{mm}$ #16 r1

1x z1

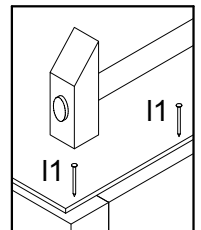
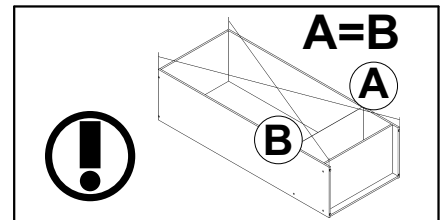
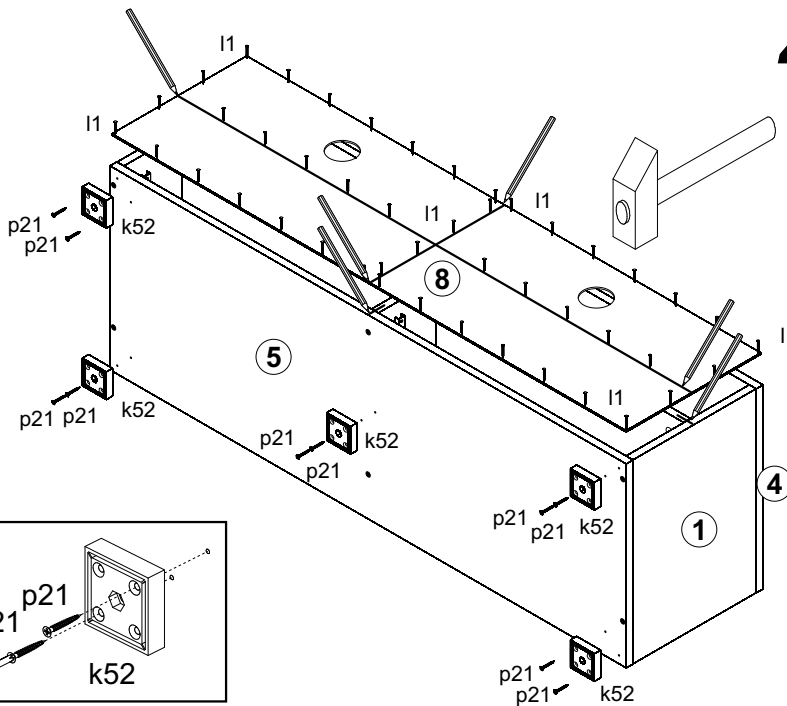


4

36x l1

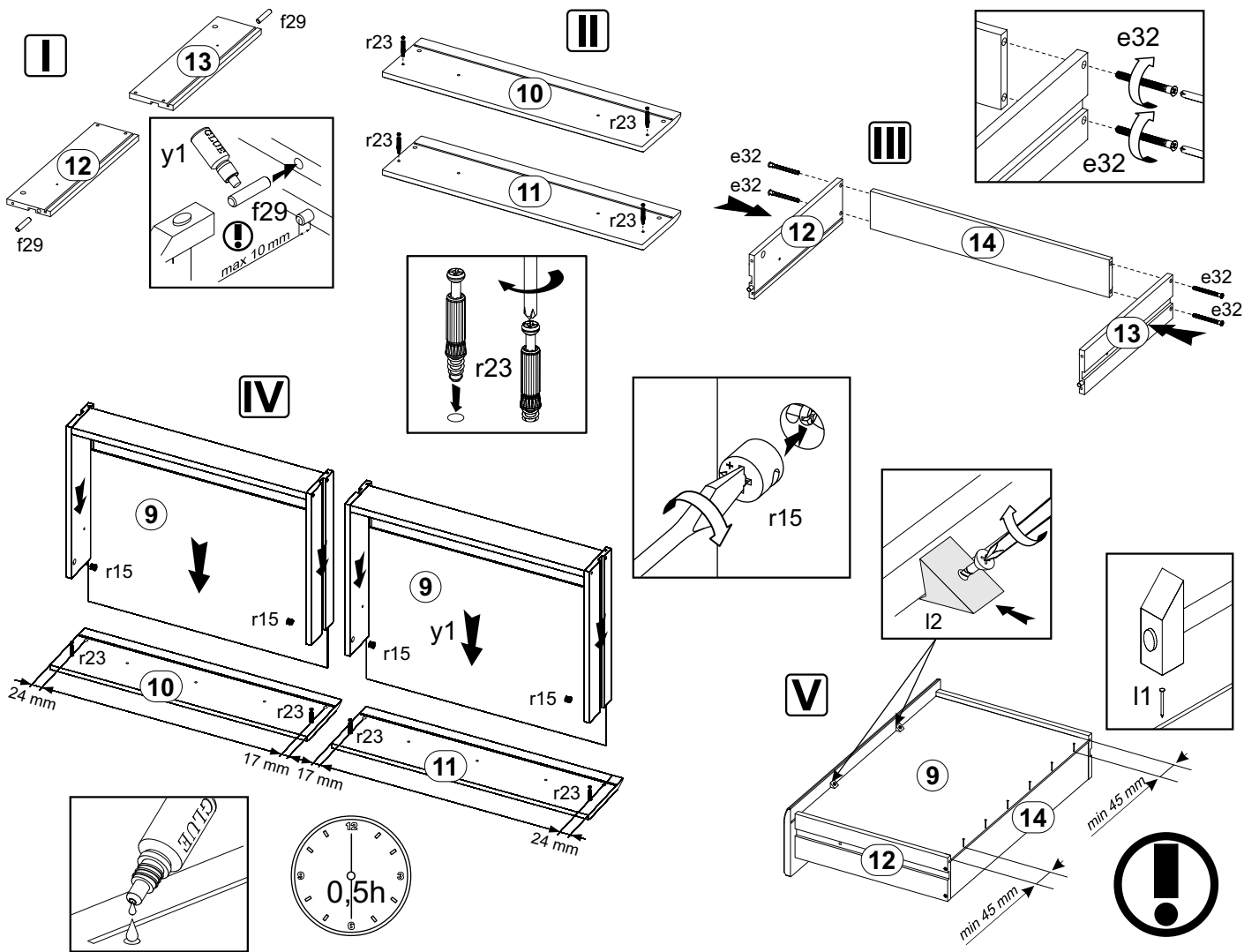
5x $56 \times 56 \times 20 \text{mm}$ k52

10x $\phi 4 \times 30 \text{mm}$ p21


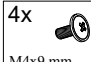
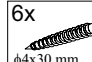
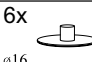


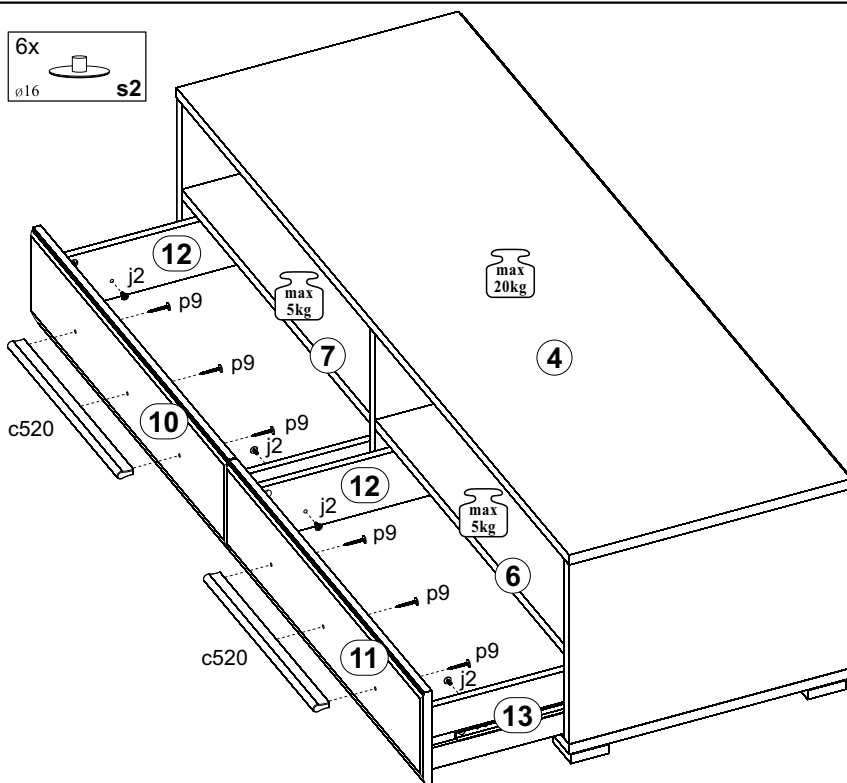
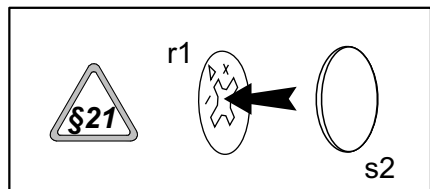
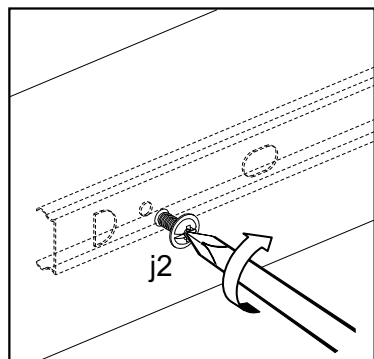
5

- 8x  **e32** $\phi 5 \times 50$ mm
- 4x  **f29** $\phi 8 \times 35$ mm
- 12x  **l1**
- 4x  **l2**
- 4x  **r15** $\phi 12 \times 10,5$ mm #12
- 4x  **r23** 30/11
- 1x  **y1**



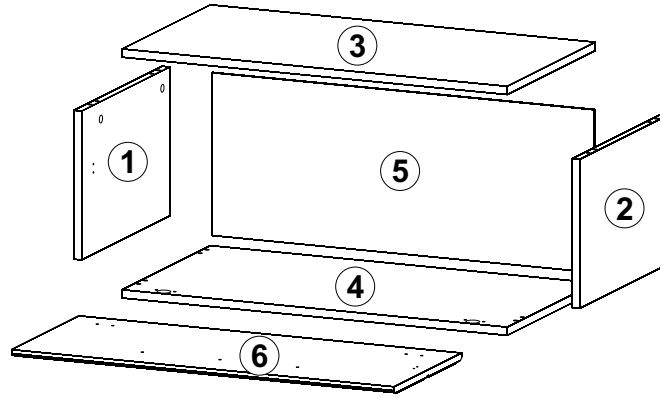
6

- 2x  **c520** L 340 mm
- 4x  **j2** M4x9 mm
- 6x  **p9** $\phi 4 \times 30$ mm
- 6x  **s2** $\phi 16$





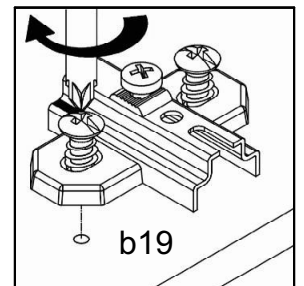
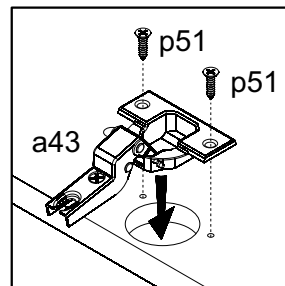
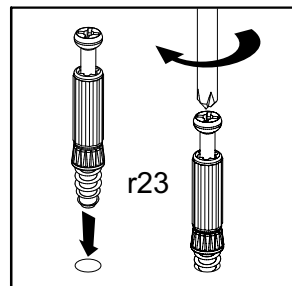
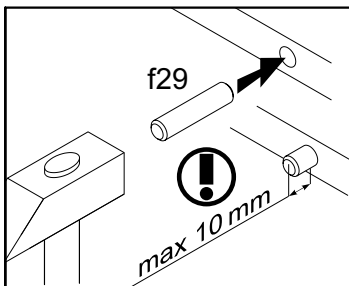
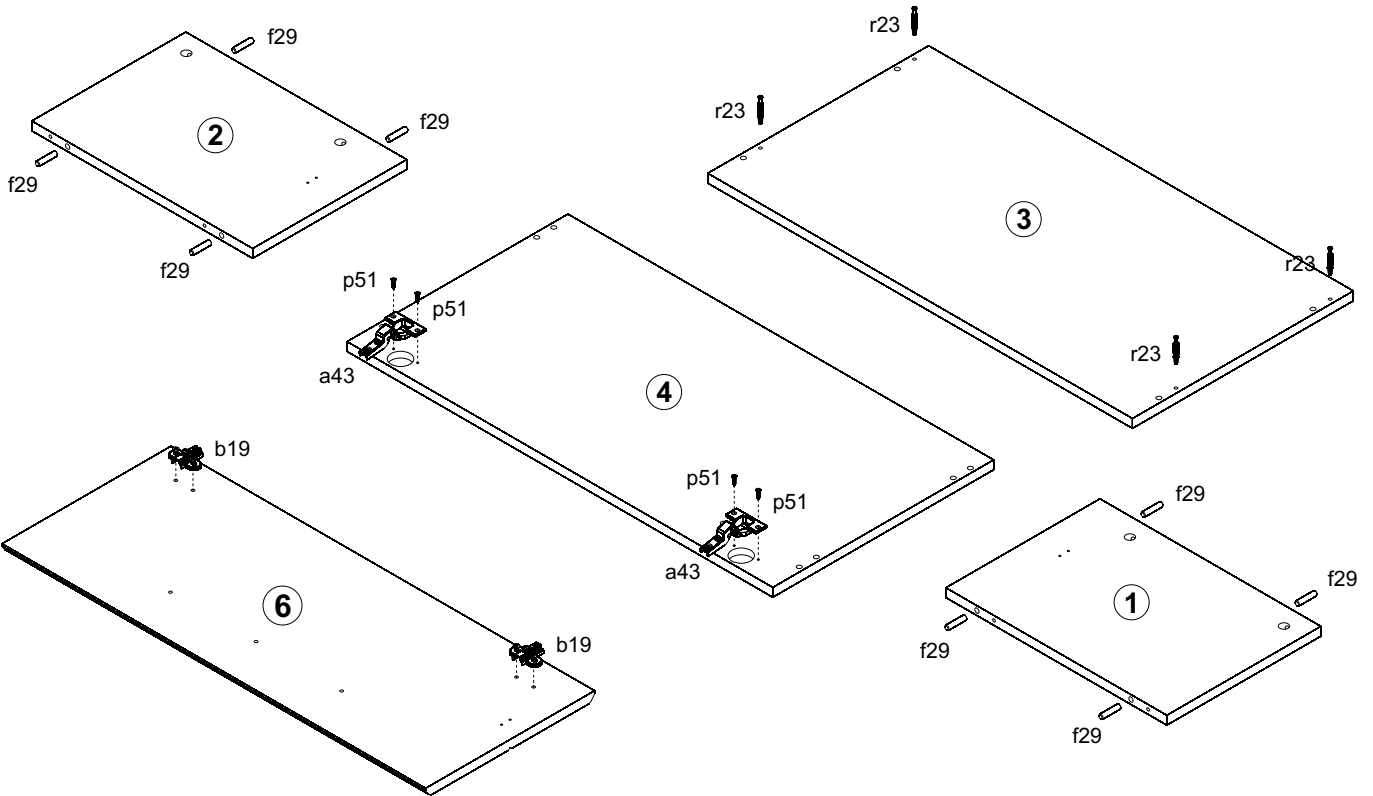
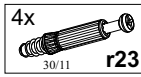
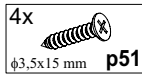
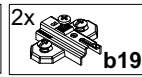
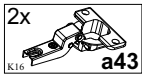
Тумба 1D



A	B	C	D	
1	PU1-101	288	413	1/4
2	PU1-106	288	413	1/4
3	PU1-209	796	413	1/4
4	PU1-224	796	413	1/4
5	PU1-916	790	315	1/4
6	PU1-031-01	792	316	4/4



7

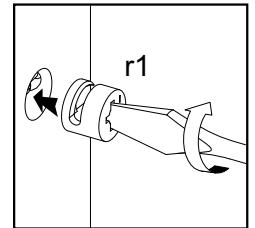
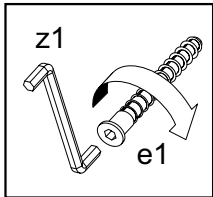
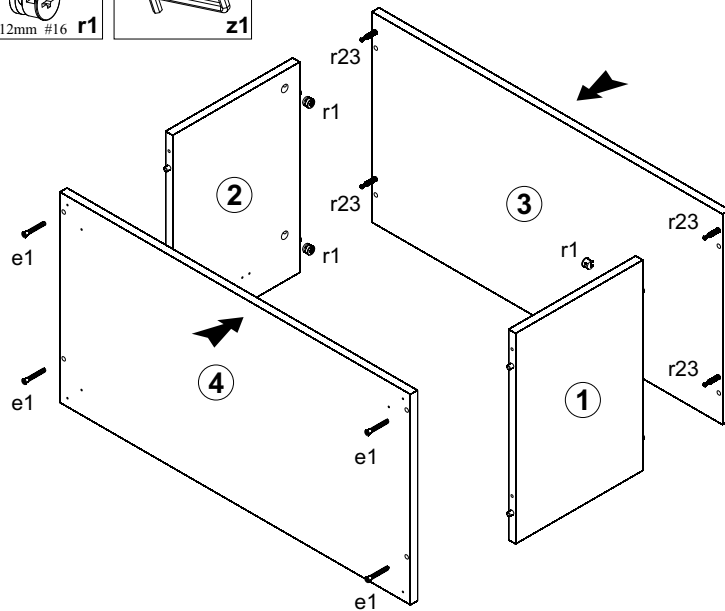


8

4x $\phi 7 \times 50$ mm e1

4x $\phi 15 \times 12$ mm #16 r1

1x z1

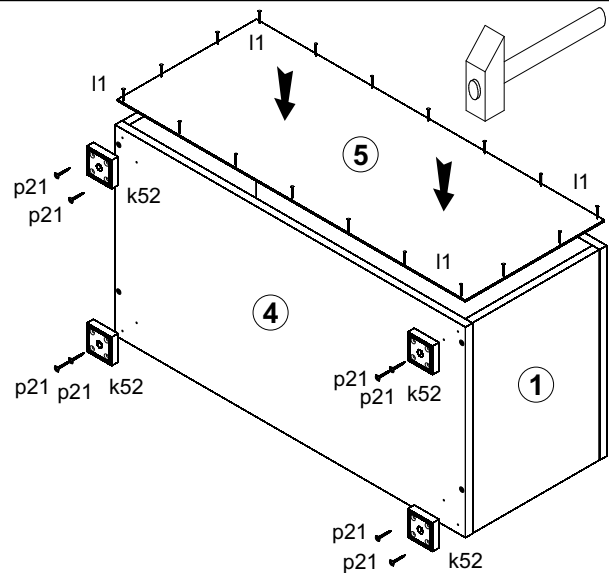
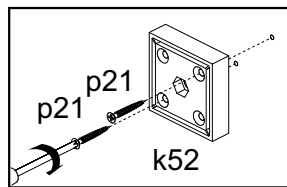
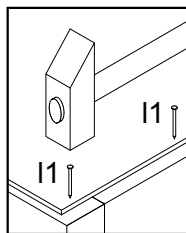
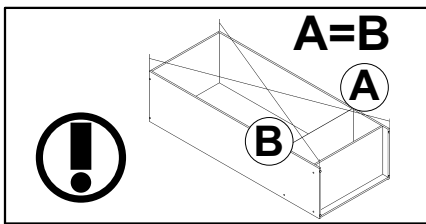


9

36x l1

4x 56x56x20 mm k52

8x $\phi 4 \times 30$ mm p21



10

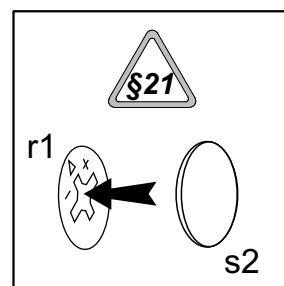
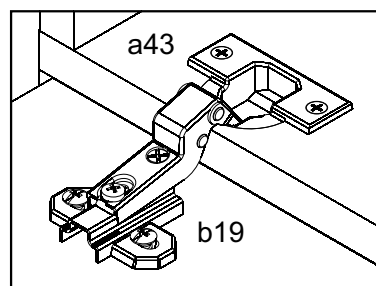
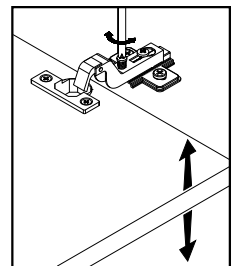
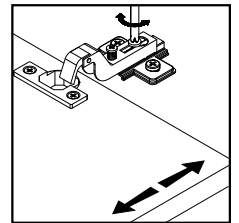
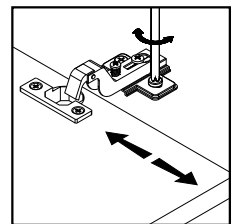
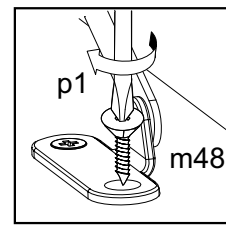
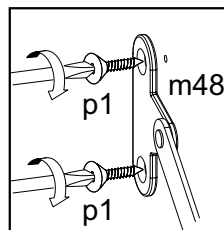
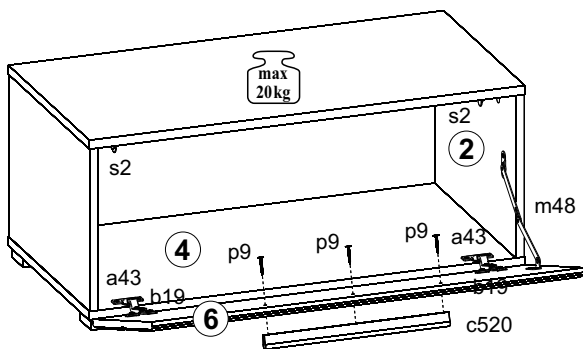
1x L 340 mm c520

1x m48

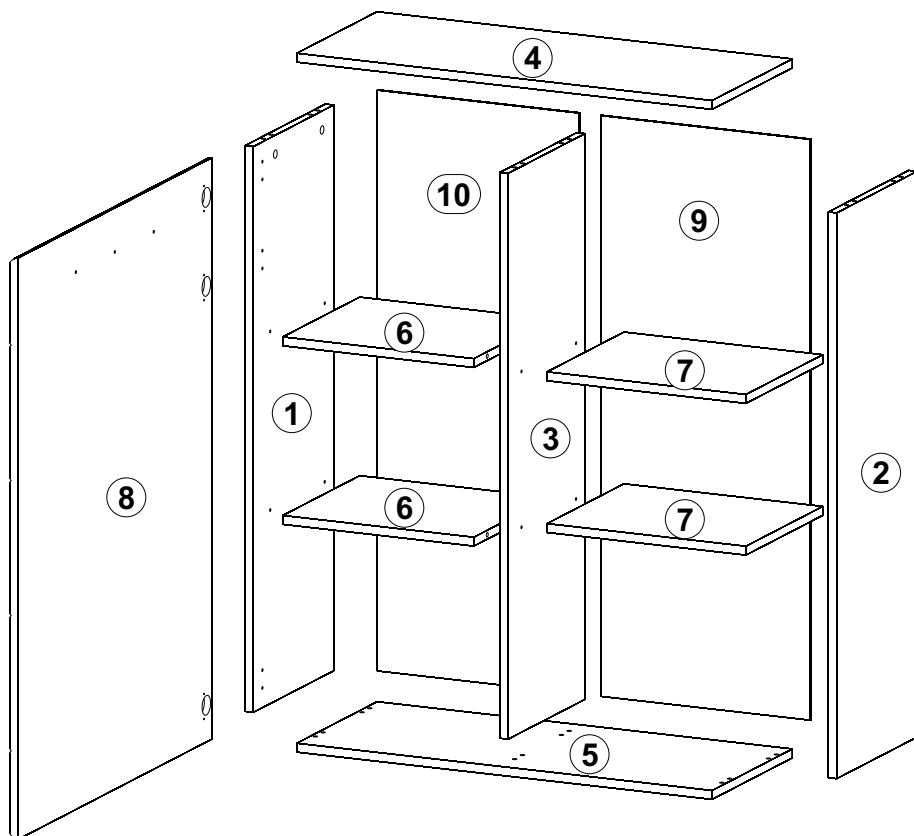
4x $\phi 3,5 \times 13$ mm p1

3x $\phi 4 \times 30$ mm p9

4x $\phi 16$ s2

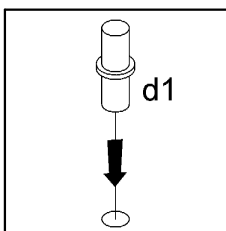
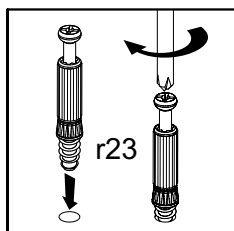
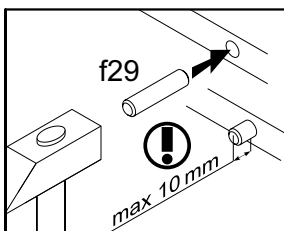
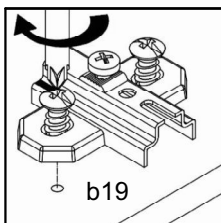
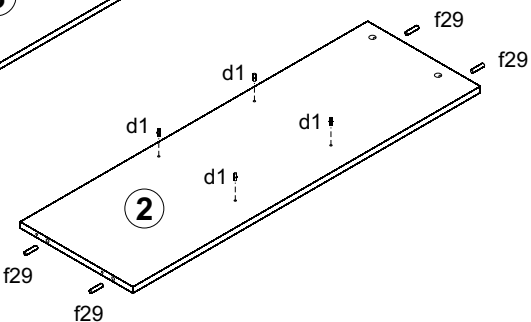
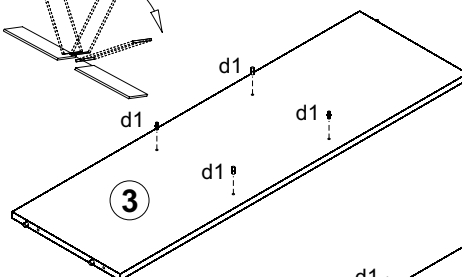
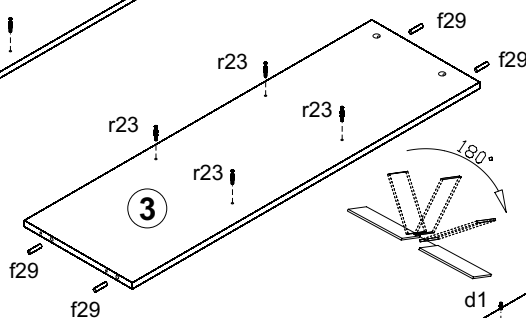
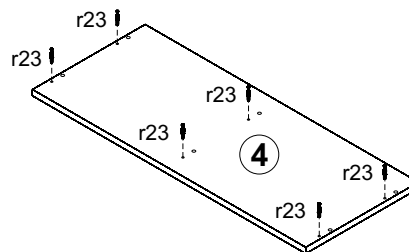
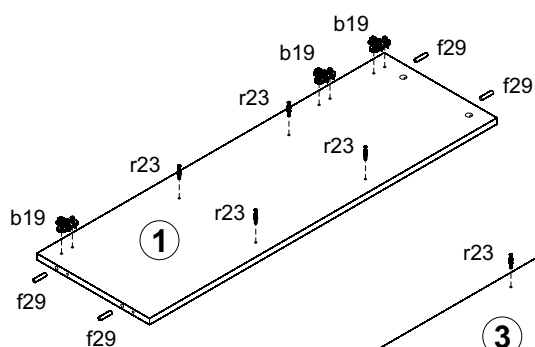
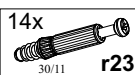
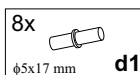
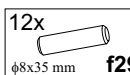
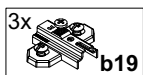


 **Пенал**

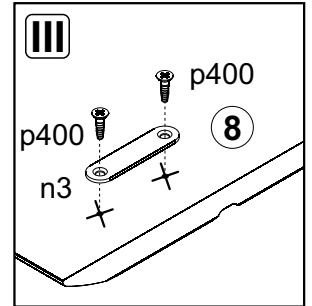
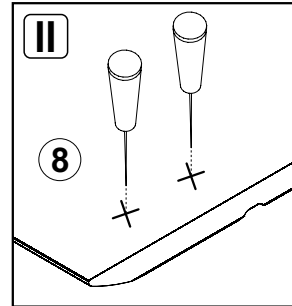
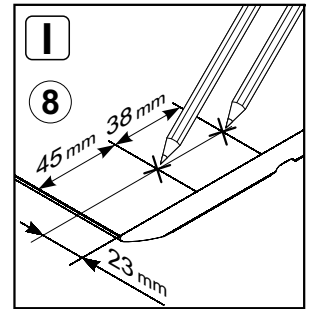
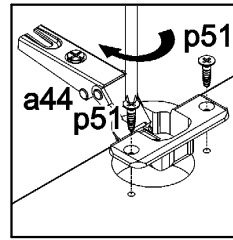
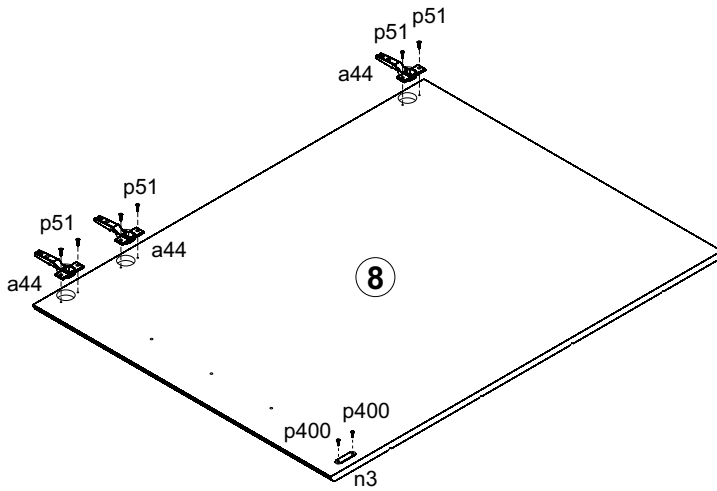
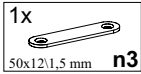
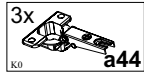


A	B	C	D
1	PU1-110	1017	330 2/4
2	PU1-111	1017	330 2/4
3	PU1-121	1017	316 2/4
4	PU1-222	800	330 2/4
5	PU1-223	800	330 2/4
6	PU1-320	368	316 2/4
7	PU1-315	383	316 2/4
8	PU1-027-01	796	1045 4/4
9	PU1-920	1044	404 4/4
10	PU1-923	1044	389 4/4

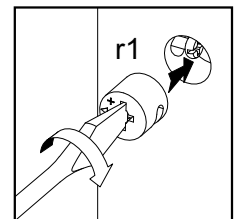
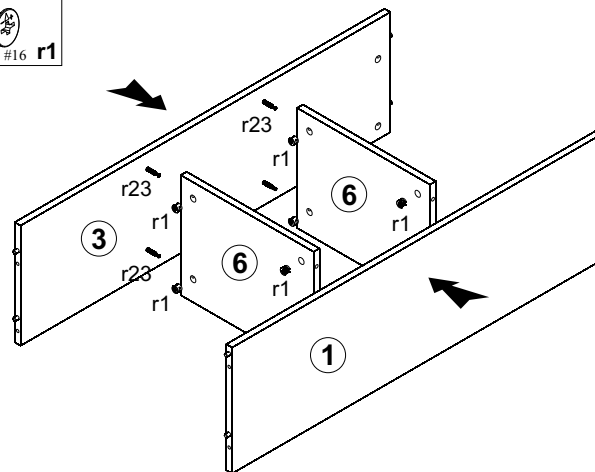
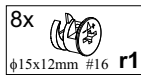
11



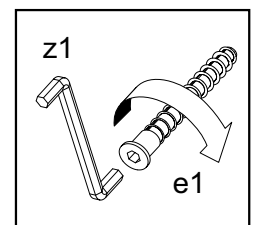
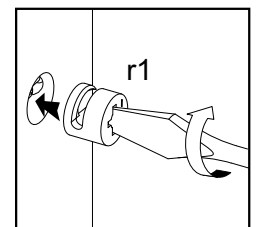
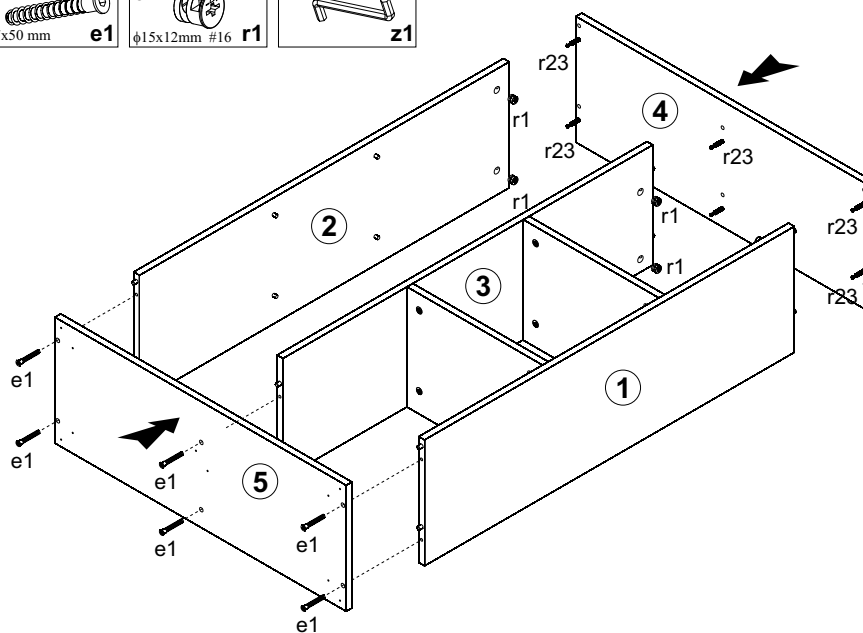
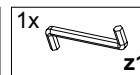
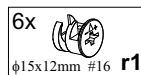
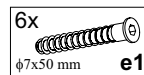
12



13

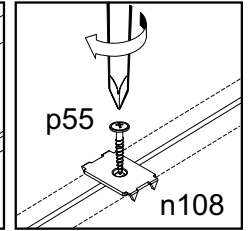
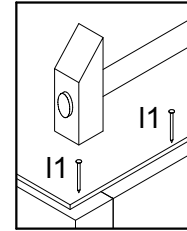
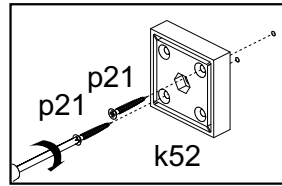
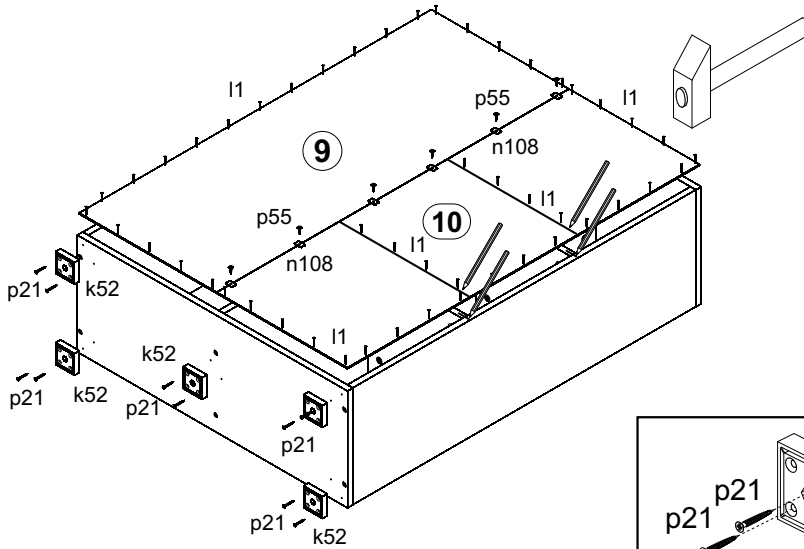
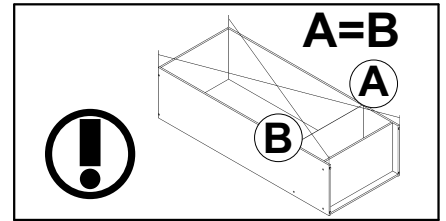


14



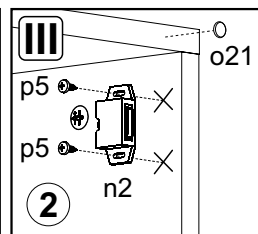
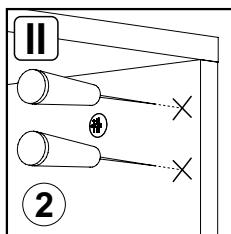
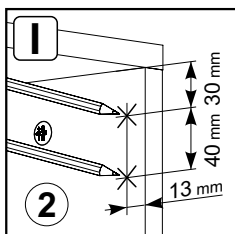
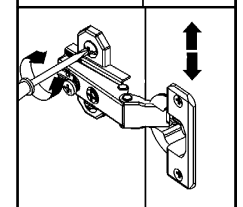
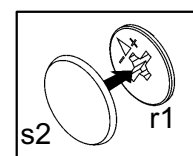
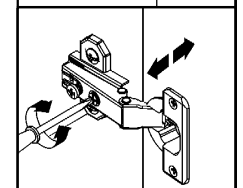
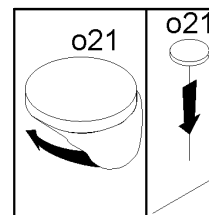
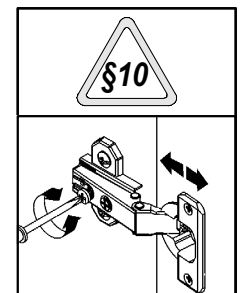
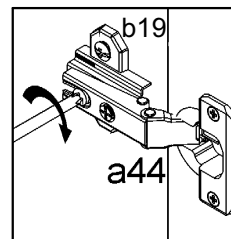
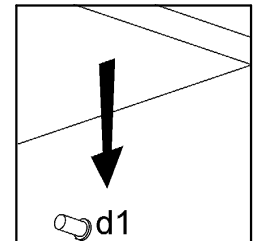
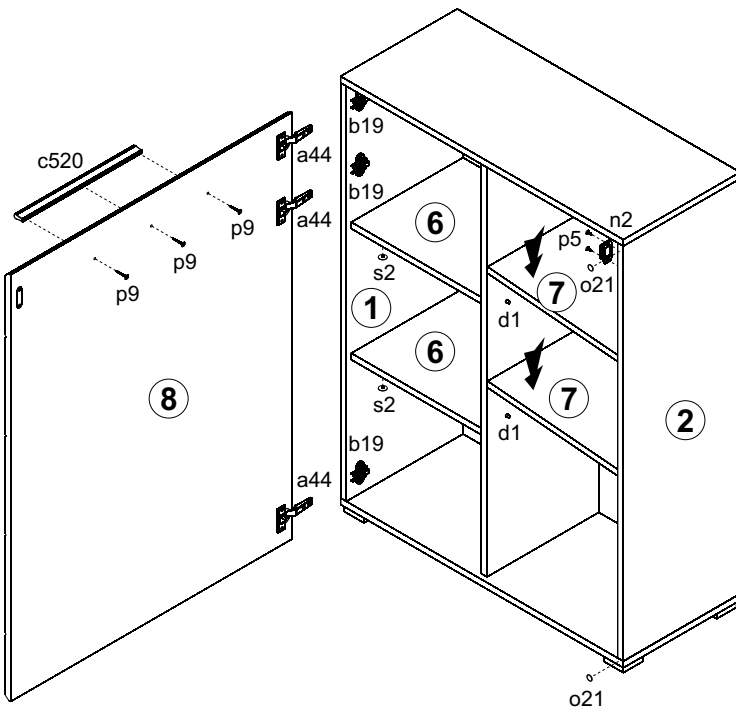
15

- 24x I1
- 5x 56x56x20 mm k52
- 6x 20x13x3,51mm n108
- 6x $\phi 2,9 \times 16$ mm p55
- 10x $\phi 4 \times 30$ mm p21



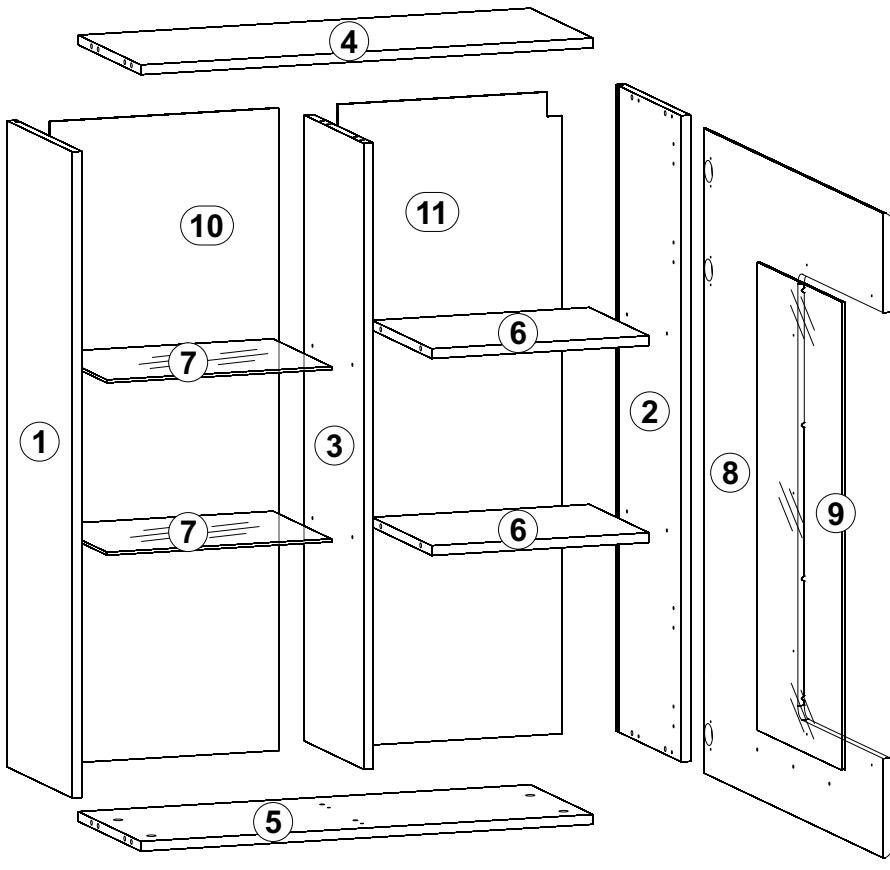
16

- 1x L 340 mm c520
- 1x n2
- 2x silikon $\phi 8 \times 1,8$ mm o21
- 2x $\phi 3,5 \times 13$ mm p5
- 3x $\phi 4 \times 30$ mm p9
- 14x $\phi 16$ s2



IV

Вітрина навесна права / Витрина навесная правая

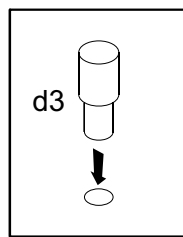
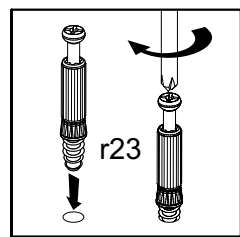
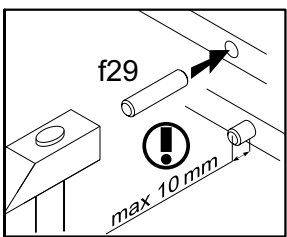
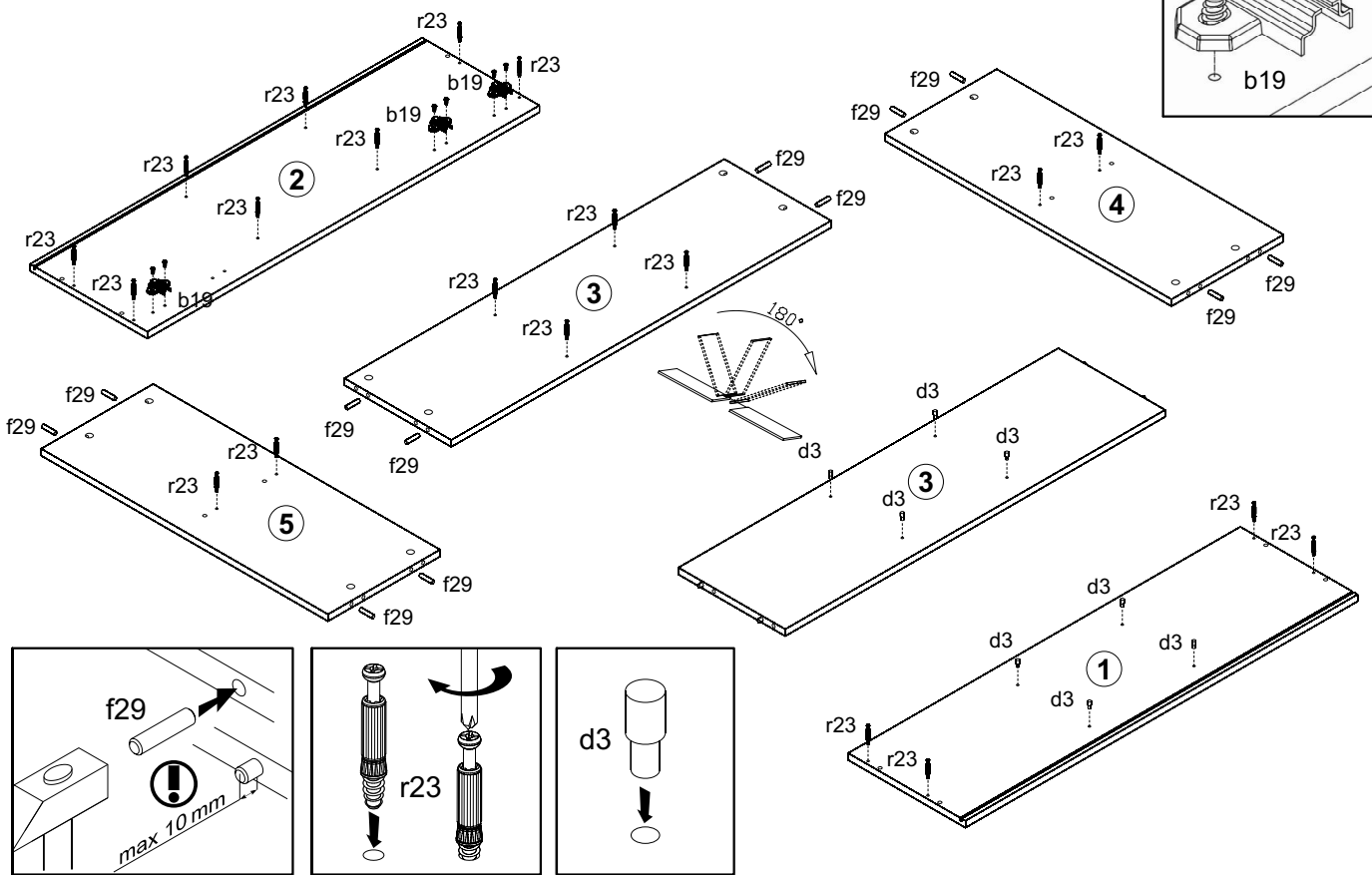
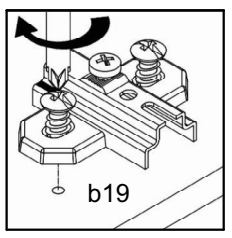


A	B	C	D	
1	PU1-124	1050	314	3/4
2	PU1-107-01	1050	314	3/4
3	PU1-123	1017	286	3/4
4	PU1-316	768	300	3/4
5	PU1-317	768	300	3/4
6	PU1-318	368	286	3/4
7	PU1-319	382	274	3/4
8	PU1-028-01	796	1045	4/4
9	PU1-502	759	377	4/4
10	PU1-921	1044	397	4/4
11	PU1-922	1044	381	4/4


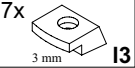
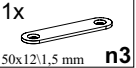



17

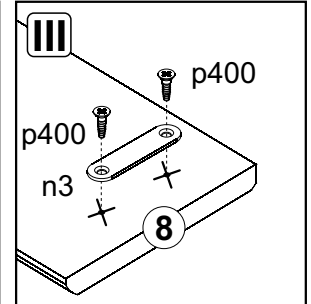
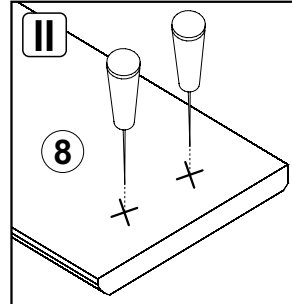
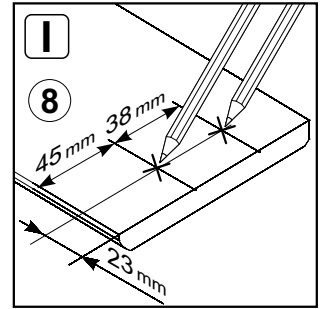
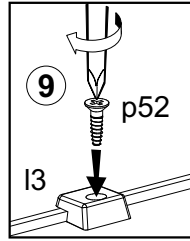
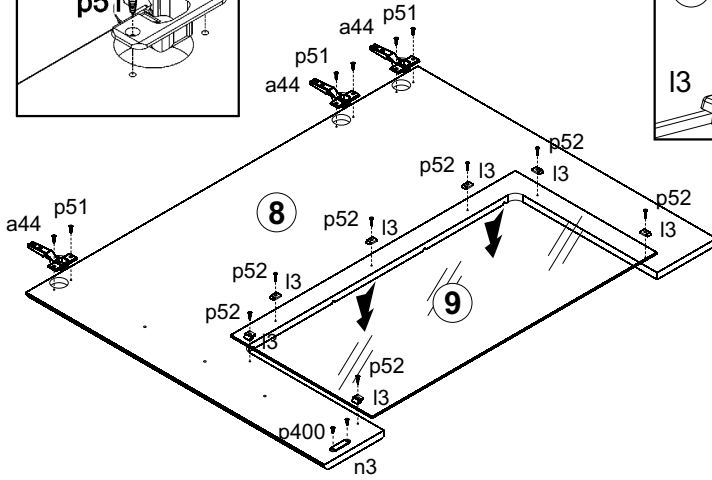
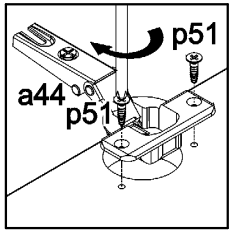


- 3x b19
- 12x f29 $\phi 8 \times 35 \text{ mm}$
- 8x d3 $\phi 5 \times 17 \text{ mm}$
- 20x r23 $30/11$




18

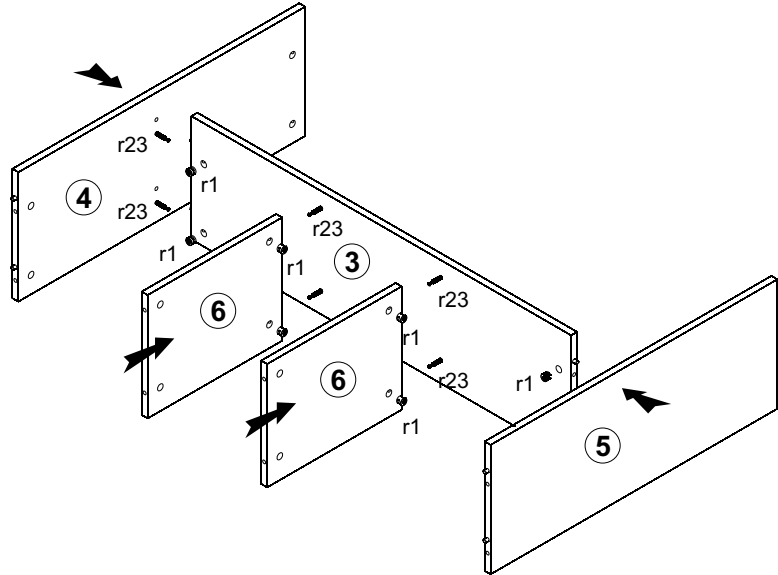
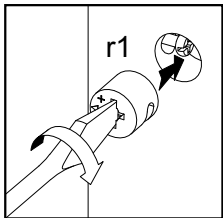
- 3x  a44
- 7x  l3
3 mm
- 1x  n3
50x12,1,5 mm
- 6x  p51
φ3,5x15 mm
- 7x  p52
φ3x16 mm
- 2x  p400
φ3x10 mm




19

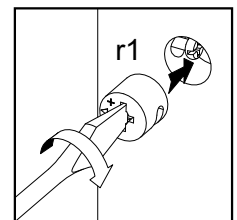
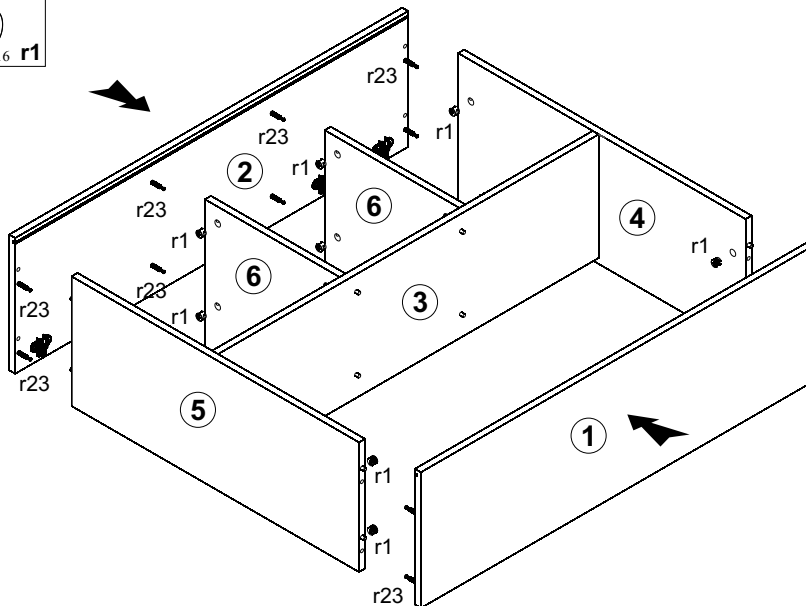


- 8x  r1
φ15x12mm #16

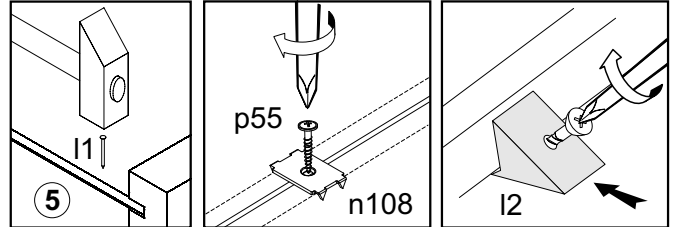
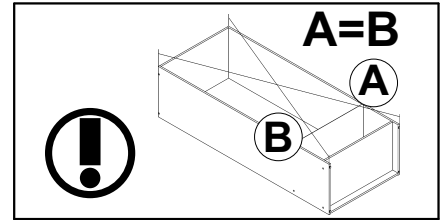
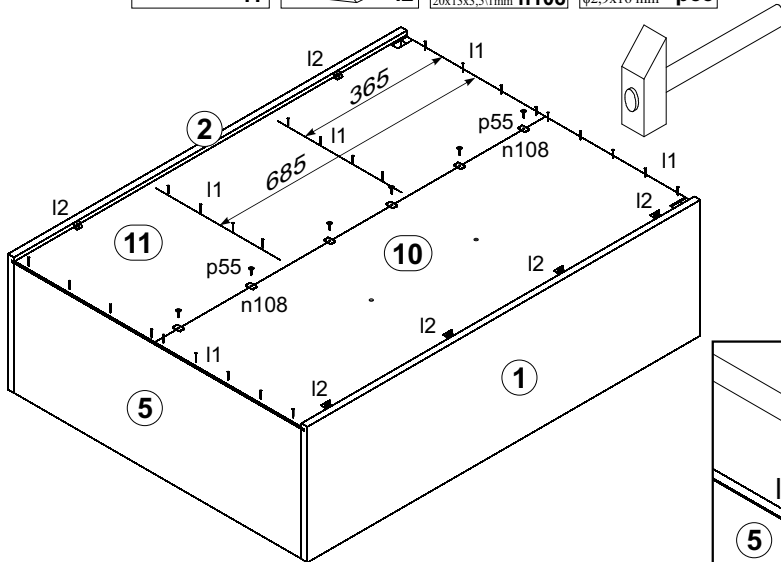
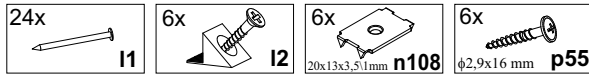


20

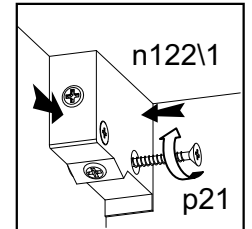
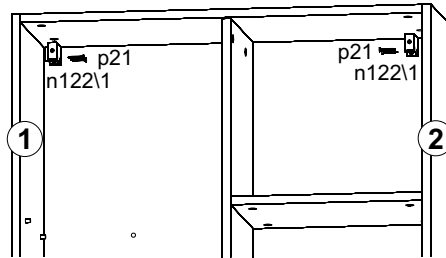
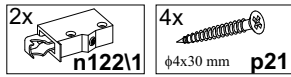
- 12x  r1
φ15x12mm #16



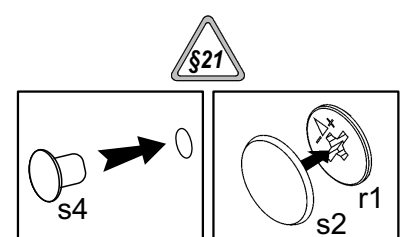
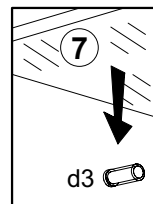
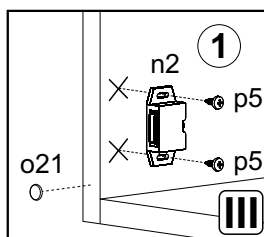
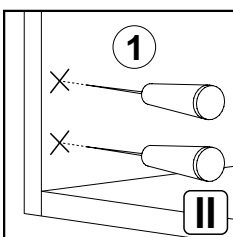
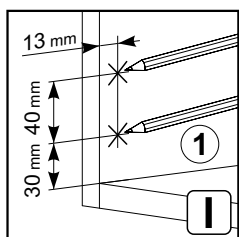
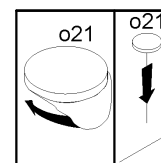
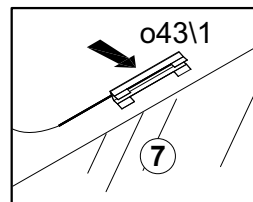
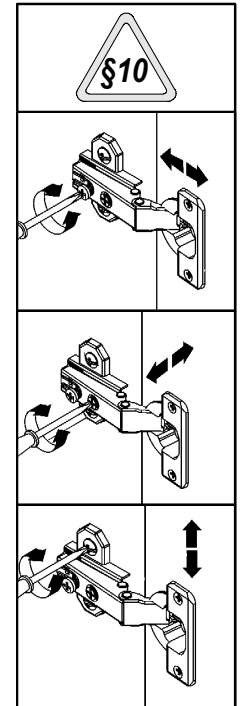
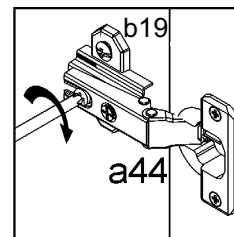
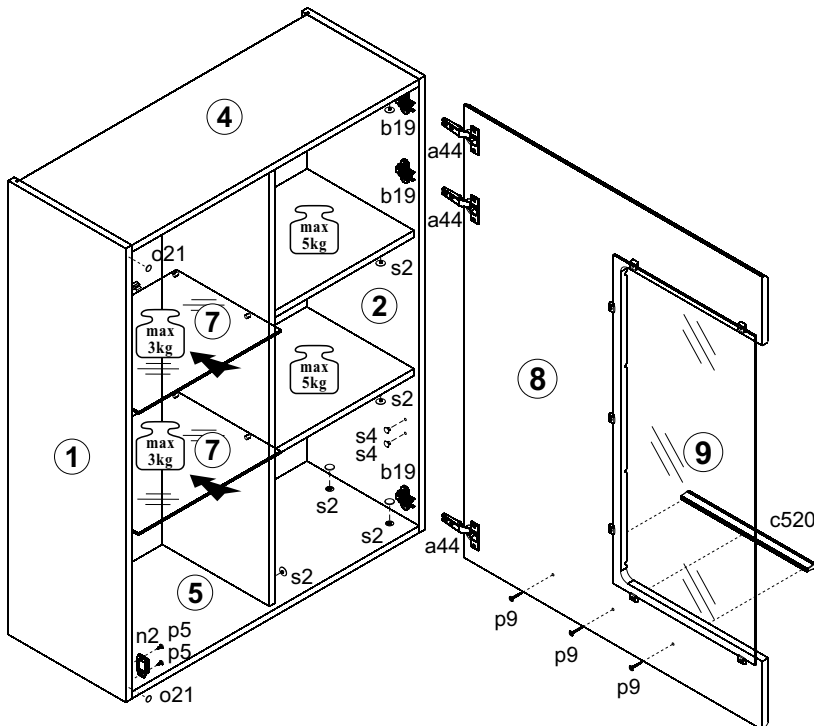
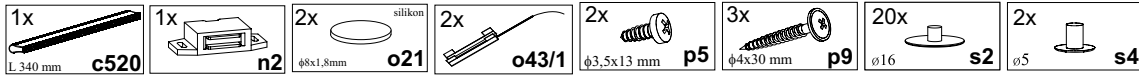
21



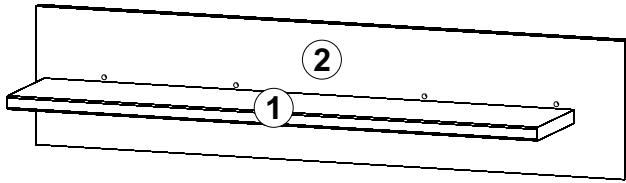
22



23



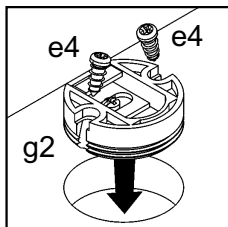
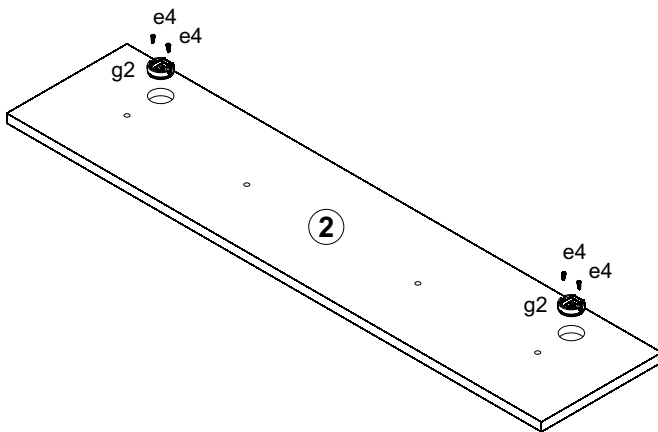
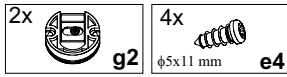
V Полиця / Полка



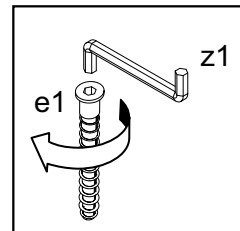
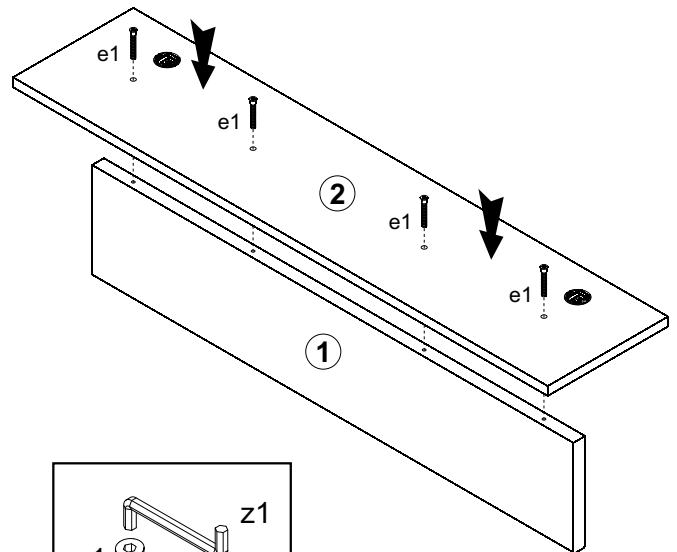
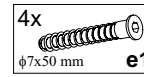
A	B	C	D
1	PU1-321	900	180
2	PU1-401	225	1000



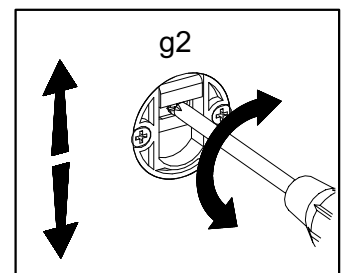
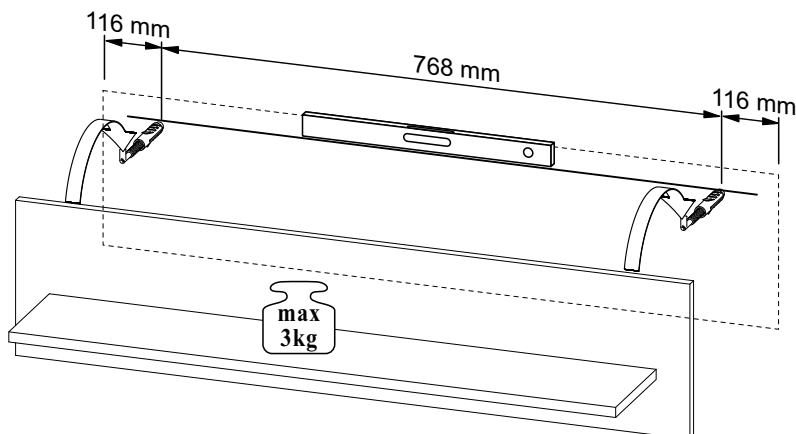
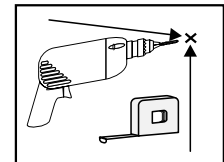
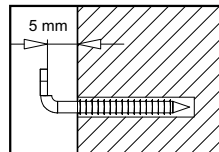
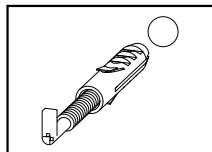
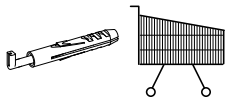
24



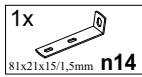
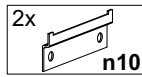
25



26



27



25 mm 64 mm

64 mm 25 mm

